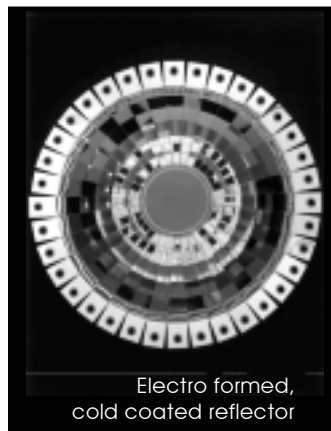
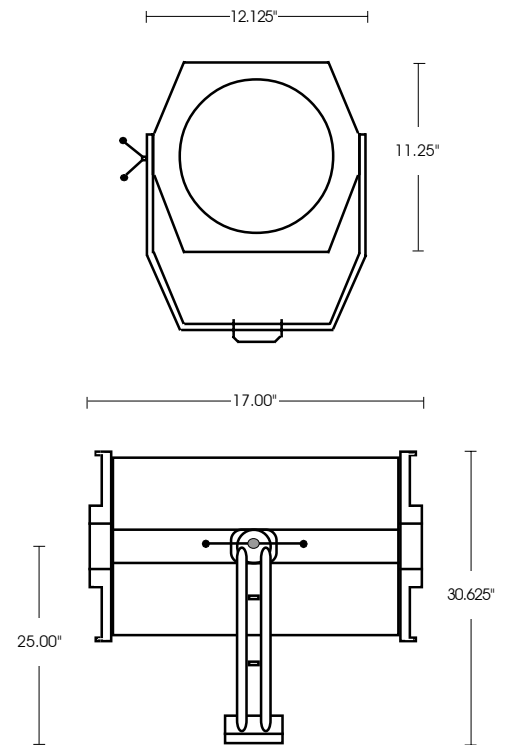


SP 575, 1200 Universal Projector



SPECIFICATIONS

Head Length	17.00"
Head Width	12.125"
Head Height	11.25"
Overall Height w/Yoke	30.625"
Height of Pivot Point	25.00"
Horizontal Sweep	360°
Lamp	HMI 575w/SE HMI 1200w/SE
Power Requirement	120 Volts
Weight of Head & Yoke	32 lbs.

DESCRIPTION

The **SP1200/575 Universal Projector** is a versatile, high output, HMI projector head designed for use in the motion picture, corporate presentation, and entertainment industries. The Universal Projector delivers smooth, crisp images from a variety of formats and is fully compatible with the complete range of popular RDS Scene Machine effects and lenses. Advanced cooling features in the SP1200 allow for projection of full color ciebacrome slides.

APPLICATIONS

- Daylight color temperature
- Ultra-reliable remote magnetic ballast
- Daylight color temperature
- Single ended HMI lamp technology for easy accessibility
- Lightweight aluminum reflector
- Single ended HMI lamp technology for easy accessibility
- Thermaglass heat barrier and quiet cooling fans
- Spot to flood focus controls
- Lamp strike controls at both head and ballast
- Available in 575W configuration

ACCESSORIES

- Daylight color temperature scenic effects for motion picture and TV production
- Full color slide (3"X5" ciebacrome) image projection
- High output projection of glass or stainless templates
- Endless film loop or effect disk projection
- Works with full range of RDS Scene Machine effects and lens
- Front plate adaptors for White Light or custom projection
- Conversion kit for ultra-violet (black light) projection

PHOEBUS MANUFACTURING

A division of The Phoebus Company, Inc.
2800 Third Street
San Francisco, CA 94107
Tel. 415 550 1177
Fax. 415 550 2655
www.phoebus.com